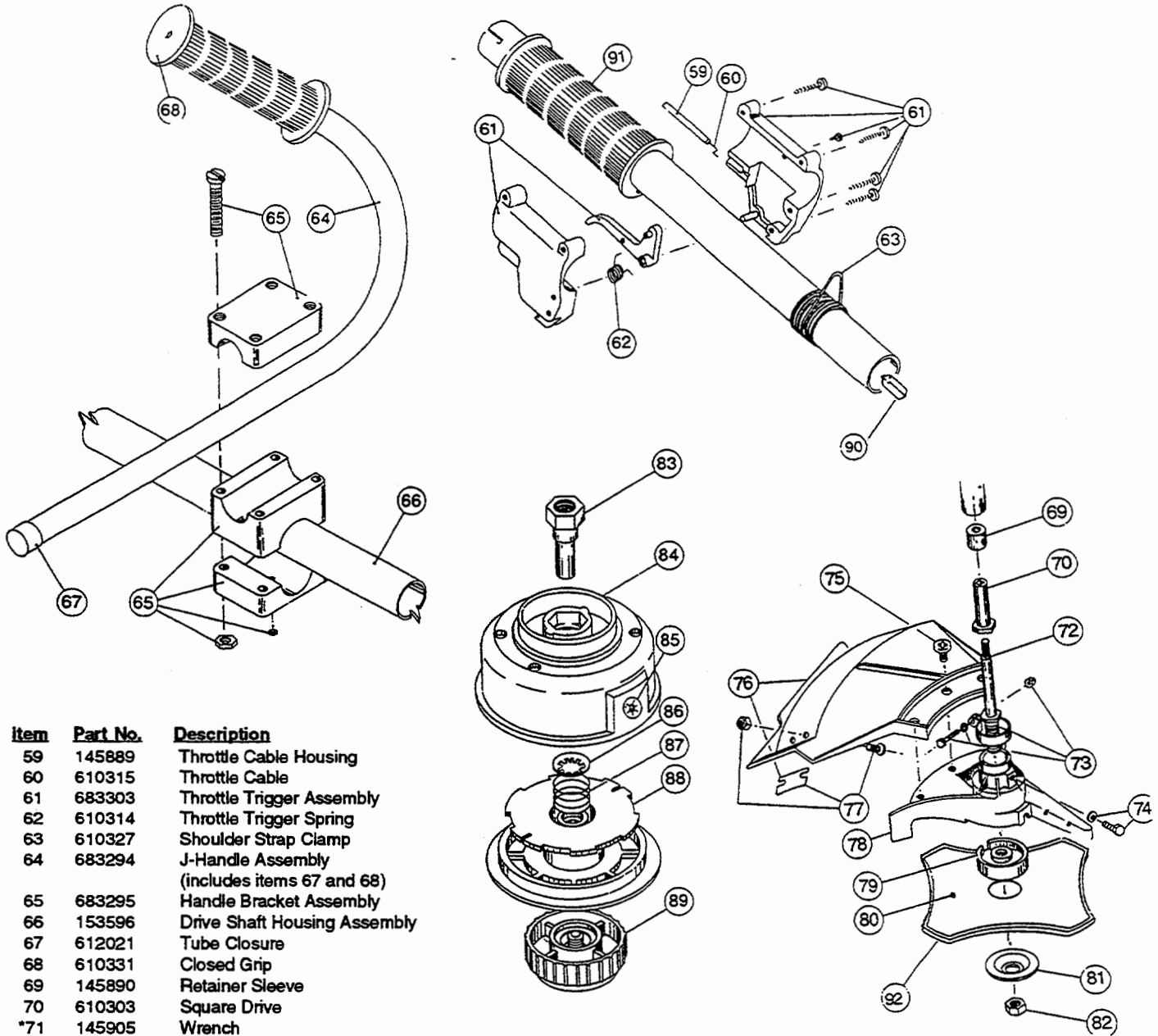


BOOM & TRIMMER PARTS - RYAN 285



Item	Part No.	Description
59	145889	Throttle Cable Housing
60	610315	Throttle Cable
61	683303	Throttle Trigger Assembly
62	610314	Throttle Trigger Spring
63	610327	Shoulder Strap Clamp
64	683294	J-Handle Assembly (includes items 67 and 68)
65	683295	Handle Bracket Assembly
66	153596	Drive Shaft Housing Assembly
67	612021	Tube Closure
68	610331	Closed Grip
69	145890	Retainer Sleeve
70	610303	Square Drive
*71	145905	Wrench
72	145893	Drive Shaft
73	682060	Clamp Assembly
74	683298	Mounting Bolt Assembly
75	683304	Guard Mounting Screws
76	683299	Guard and Blade Assembly
77	682061	Blade Assembly
78	153598	Bearing Housing Assembly
A79	612030	Blade Driver
80	145873	Blade 4-Tooth W/Cover
A81	145894	Lower Blade Holder
82	145895	Blade Retaining Nut
83	145896	Spool Shaft
84	153599	Outer Spool and Eyelet Assembly
85	145566	Eyelet
86	612026	Retainer (10 pack)
87	610317	Spring
88	153600	Inner Reel
89	153066	Bump Head Knob Assembly
90	682064	Flexible Drive Shaft
91	147590	Main Handle Grip
92	147670	Blade Cover

Optional Accessories:

- * 153577 Replacement Dual Line Cartridge
- * 610375 Monofil Cutting Line, 50 ft. (2 fills)
- * 682075 Shoulder Strap Assembly
- * 147541 IDC or Ryan 2-Cycle Oil (4 oz. can)
- * 683822 Spark Arrestor Muffler
- * 153700 Complete Cutting Head Assembly

not shown

A Parts are for serial numbers 60900000 thru 708008000.

ITEM 79	PART NO.	147006
ITEM 81	PART NO.	147007